

# Apex Engineering Concern

## Specifications:



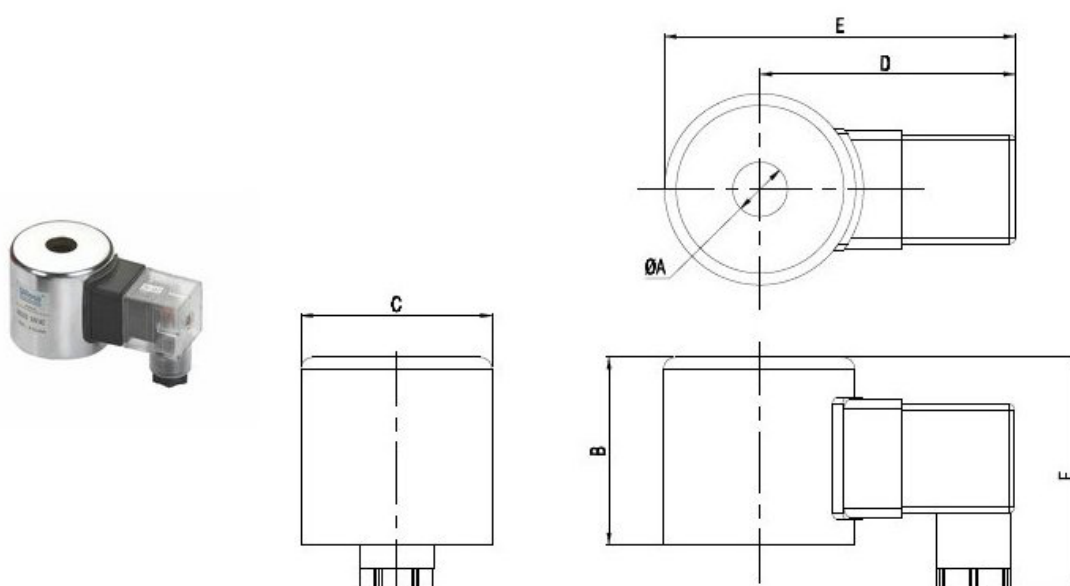
Coil

|                      |   |
|----------------------|---|
| Coil Type :          | Epoxy Moulded With LED Din Connector, Metallic Round Shape With Lead Wire Continuous Duty, IP-67 Flame Proof Coil Enclosure, IP-68 Weather Proof Coil Enclosure |
| Coil Bore Diameter : | 10mm, 13mm, 14mm, 16mm, 18mm, 30mm  |
| Class :              | H-Class, C-Class, Weather Proof IP-68, Flame Proof IP-67  |
| Voltage :            | 24V AC, 48V AC, 110V AC, 220V AC, 230V AC, 240V AC  |
| Watt :               | 6W, 8W, 9W, 10W, 10.5W, 11W, 12W, 15W, 16.5, 33W  |
| Voltage :            | 12V DC, 24V DC  |
| Watt :               | 9.5W, 10W, 11W, 14.5W   |
| Duty :               | 100 %   |
| Main Features :      | Surge Suppressors for High Wattage Coil.<br>End connections in Flame Proof Coils are available in<br>- 1/2 " NPT<br>- 3/4 " NPT<br>- M20 X 105                  |

## Dimension

| Type                                  | Diagram No. | A    | B     | C    | D    | E    |
|---------------------------------------|-------------|------|-------|------|------|------|
| Epoxy Moulded Round Coil              | 10.1        | 30.5 | 112.5 | 76   | 73   | 93.3 |
| Flame Proof Coil Enclosure            | 10.2        | 14.5 | 118.5 | 88.5 | 62.5 | 59   |
| Epoxy Moulded With LED Din Connector  | 10.3        | 14.5 | 75    | 54   | 48   | 37   |
| Metalic Round Shape With Lead Wire    | 10.4        | 14.5 | 44    | 58.2 | 47.5 | -    |
| Metalic Round Shape LED Din Connector | 10.5        | 14.5 | 91    | 66.5 | 59   | 44   |
| Metalic Round Shape Power Saver       | 10.6        | 14.5 | 68.6  | 36.6 | 47   | 44   |

## METALLIC ROUND COIL WITH LED DIN

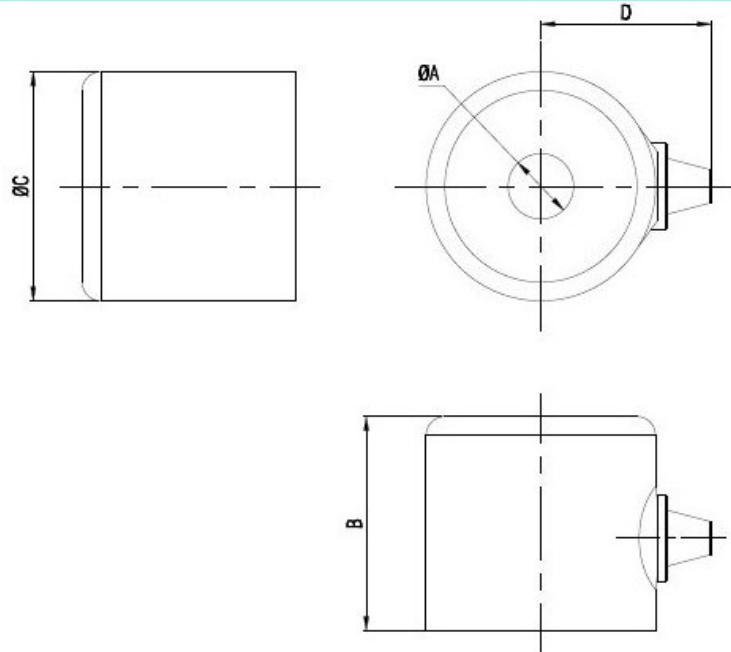


## Dimension

| A    | B  | C  | D    | E  | F  |
|------|----|----|------|----|----|
| 14.5 | 48 | 49 | 66.5 | 91 | 59 |

# Apex Engineering Concern

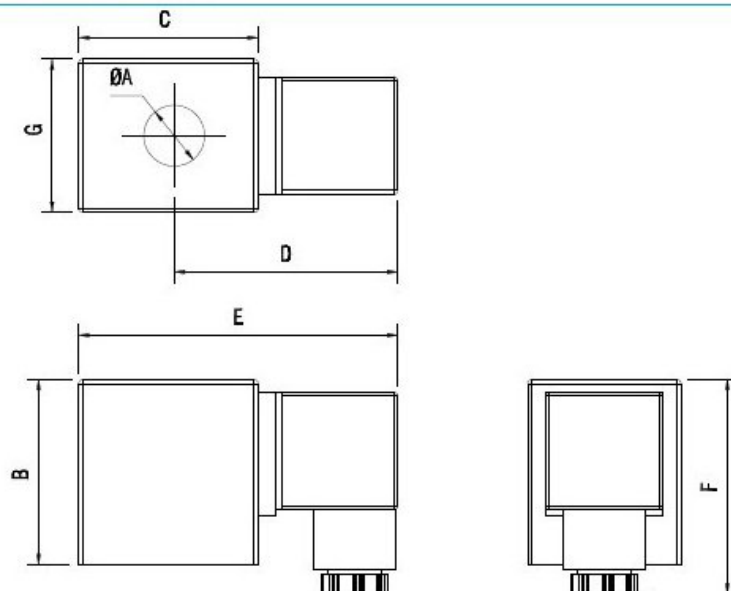
## METALLIC ROUND COIL WITH LEAD WIRE



### Dimension

| A    | B  | C  | D    |
|------|----|----|------|
| 14.5 | 48 | 49 | 36.5 |

## EPOXY MOULDED SQUARE COIL WITH LED DIN



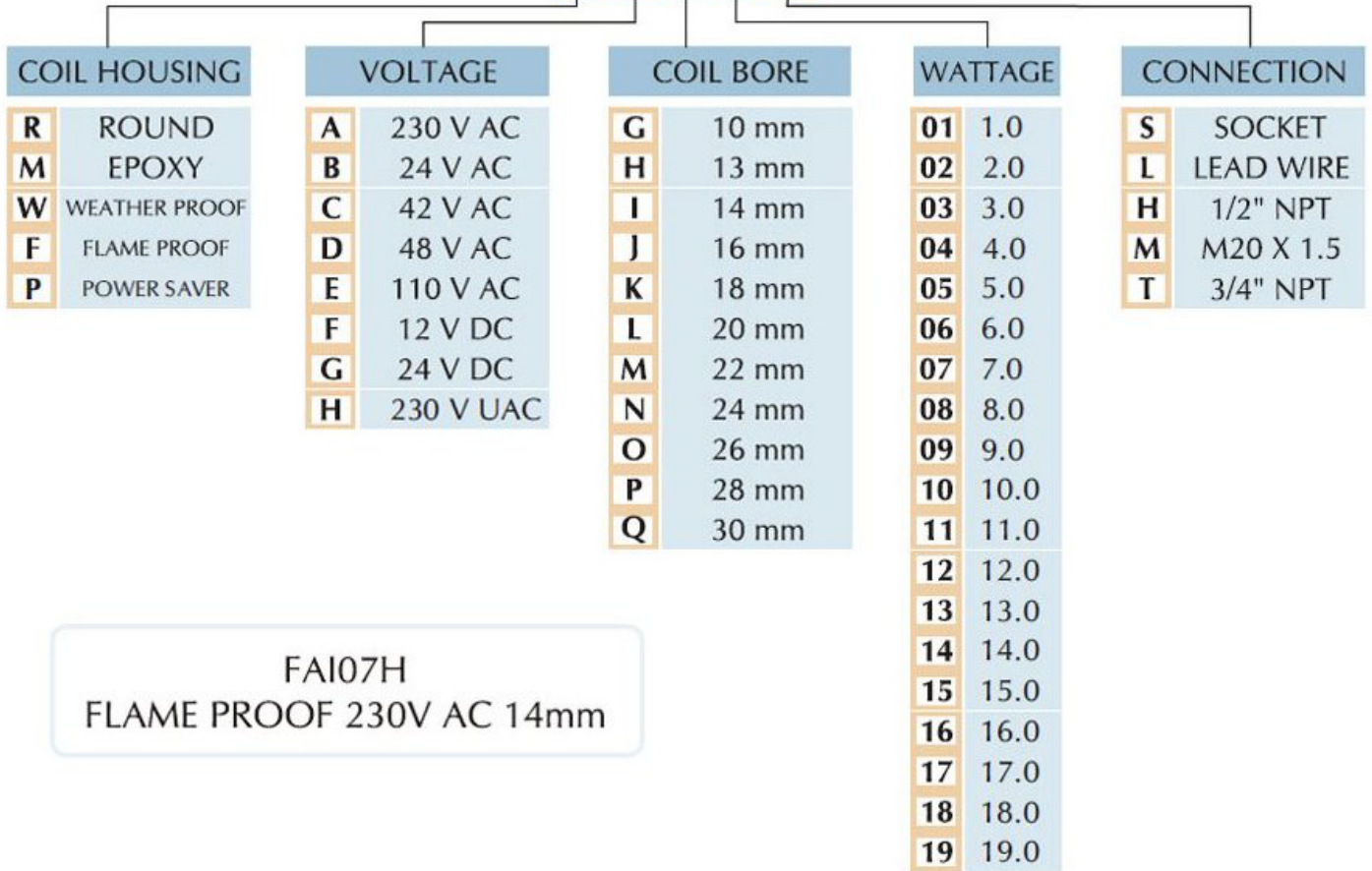
### Dimension

| A    | B  | C  | D     | E  | F  | G  |
|------|----|----|-------|----|----|----|
| 14.5 | 44 | 43 | 52.25 | 75 | 53 | 37 |

# Apex Engineering Concern

## Coil Identification Chart

**F A I 07 H**



**FAI07H**  
 FLAME PROOF 230V AC 14mm